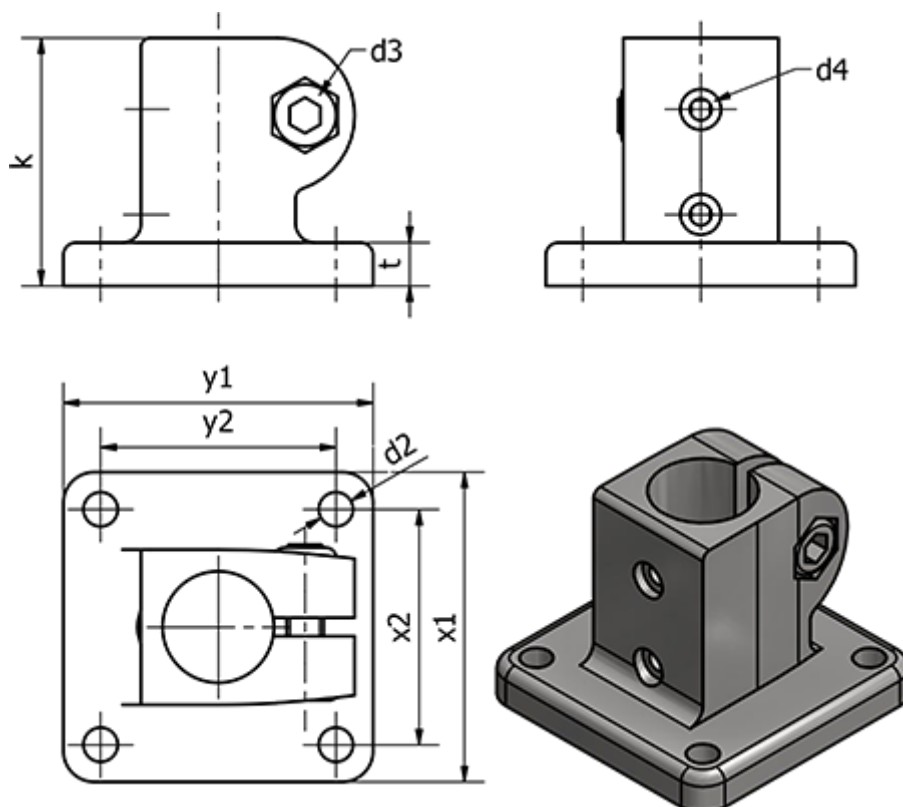


Article number: 201621G182NI

Description: E+G Swivel clamp - GN 162.1-G18-2-NI

Measures



Clamping kit = GN 911-M6-22

d1 = G18

d2 = 5.5

d3 = M6

d4 = M3

k = 40

t = 7

Weight (g) = 190

x1 = 50

x2 = 38

y1 = 50

y2 = 38